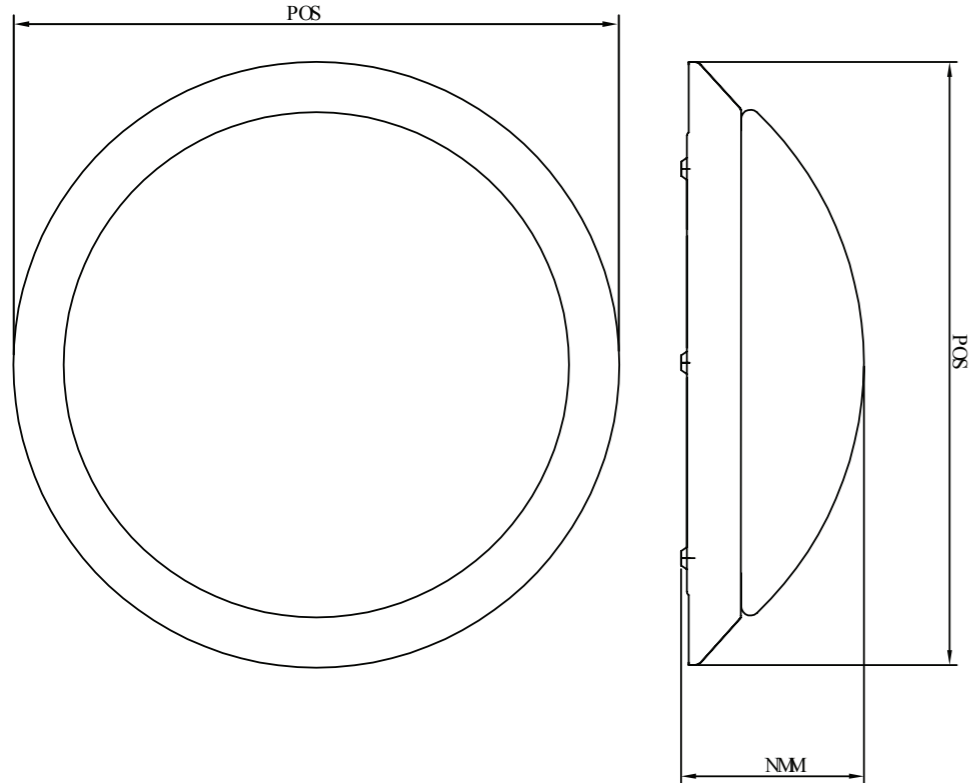


OVERALL DIMENSIONS:



## OYSTER LED LIGHT - RANGE

ALXOTTO-OL - 18W ROUND 326MM, WHITE

ALXOTTO-OLSC - 18W ROUND 326MM, SATIN CHROME

### INTRODUCTION:

The Alphalux range of Oyster LED light fittings have been established as one of the most trusted light fittings in the Australian market. The latest generation of Otto LED Oyster lights have been designed in consultation with our large client base of installers. Feedback from installers combined with over 20 years of experience in light fittings has created a comprehensive range of high quality Otto LED Oyster light fitting solutions.

The Alphalux range of Oyster LED light fittings include the following features:

- Energy Efficient - 75 % energy saving, compared to 75W incandescent
- Uses low loss constant current LED Driver
- 120° Beam Angle
- Spun Aluminium Base
- Heavy Duty Diffuser
- 50,000 Hours Life Expectancy
- Large Tunnel Terminal Block
- Easy Installation
- Highly efficient diffuser allows maximum light output
- Colour rendition index (CRI) of LED > 75
- Fully Approved to Latest Australian Standards



## INSTALLATION:

Note: This product must be installed by a qualified electrician and in accordance with the appropriate wiring rules and regulations. Ensure that all electrical supplies are isolated at the switchboard before installation or maintenance of these fittings takes place.

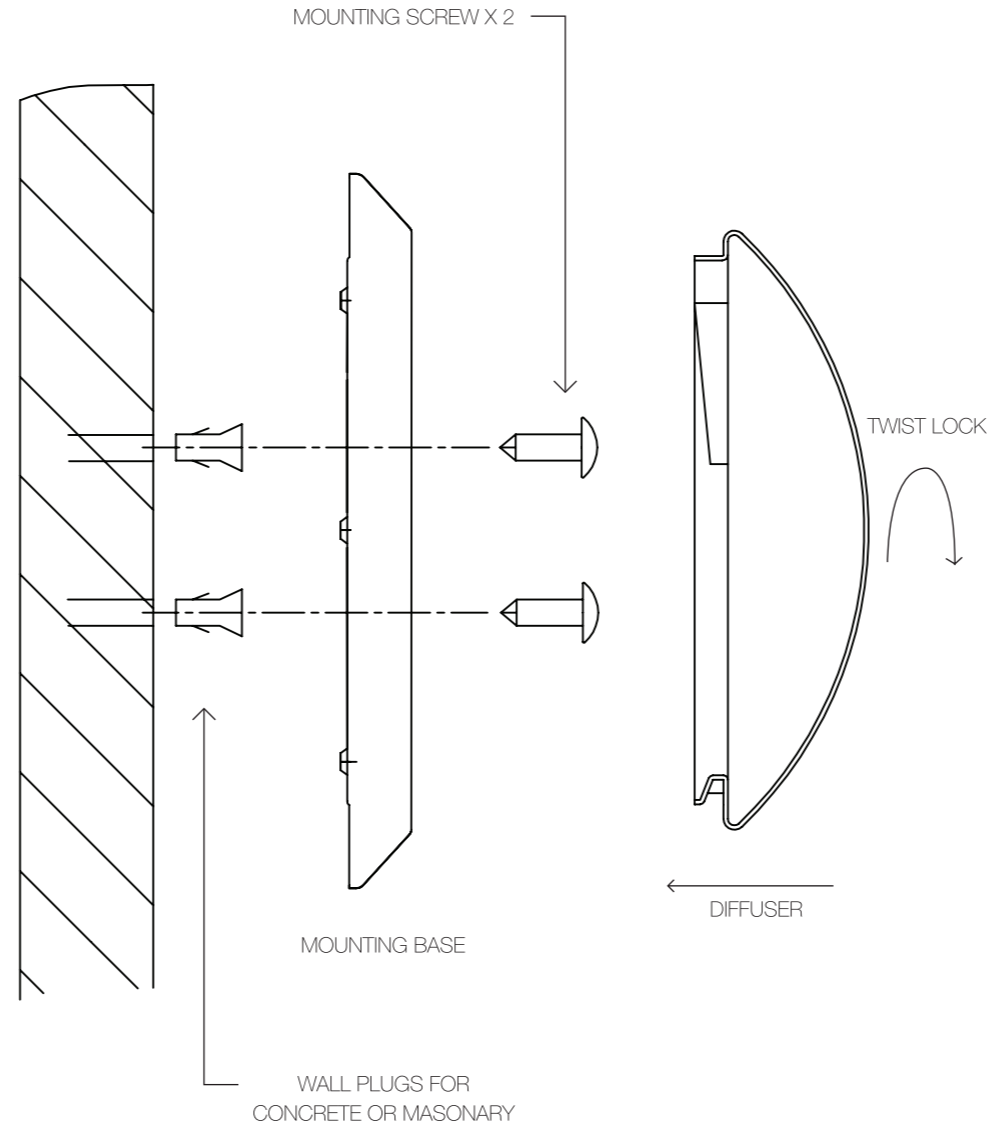
These units are typically mounted internally by following these guidelines:

- The units should be mounted out of reach so that accidental contact and damage cannot occur.
- These units are not weather rated and should not be mounted in areas where they are exposed to the weather.
- The fitting should be mounted away from foreign objects such as plants and trees reducing the risk of damage.
- The fittings should be mounted in a free air environment that will not allow excessive heat build up.
- Where there is potential for the units to be exposed to corrosive fluids or gases the supplier should be consulted before installation takes place.
- When installing multiple fittings on an installation, consideration should be given to a possible build up of earth leakage current on a single circuit using RCD/RCBO/safety switch protection. This build up of leakage from multiple fittings may cause nuisance tripping of these devices. A solution to this would be to split the load / multiple fittings over several circuits. Alternatively use of a Type A RCD/ RCBO will also provide a suitable solution.
- This appliance is not intended for use by young children or infirm persons unless they have been adequately supervised by a responsible person to ensure they can use the appliance safely.
- Children should be supervised to ensure that they do not play with the appliance.

## TECHNICAL SPECIFICATIONS:

CHARACTERISTICS:	SPECIFICATIONS:	
	ALXOTTO-OL	ALXOTTO-OLSC
Colour	White	Satin Chrome
Weight	750g	
Height	100mm	
Diameter	326mm	
Driver Type	LED Constant Current	
Beam Angle	120°	
Colour Temp	4000 - 4500K	
Rendering Index	CRI > 75	
Rated power	18 Watts	
Output Current	430mA	
Output Voltage	Max 40VDC	
Supply Voltage	240VAC	
Supply Frequency	50HZ	
Power Factor	>0.9	
Operating Temp.	-15°C~50°C	
Standards	AS/NZS 61347, CISPR 15, AS/NZS 4051, ROHS	

## TYPICAL MOUNTING DIAGRAM:



## TYPICAL WIRING DIAGRAM:

